

	1
	1
	
1-1	
1-1	
1-	
1-	
1-	
1-	11
1-	1
1-	1
1-	1
1-	1
1-10	1
1-11	
1-1	
1-1	
1-1	
1-1	
1-1	0
1-1	
1-1	
	
	
-1	
-1	
-	0
-	1
-	
-	
-	
-	
-	1
-10	
-11	
-1	
-1	
-1	1
-1	
-1	
-1	
-1	
	0

[2014] 55

- 1.
- 2.
- 3.
- 4.

--

--

		1-1	1	1-1	1-1
		-1	1	-1	-1
		-1	1	-1	-1

1

I/O

C

/

Kei I C

2

1

/ /

Kei I C

MCU

/ /

2

6S ()

/

3

120

4

20		10	0	
				1
				2
		10		3
				4
			5	

10

5

30

1



2

PCB

E

3

1



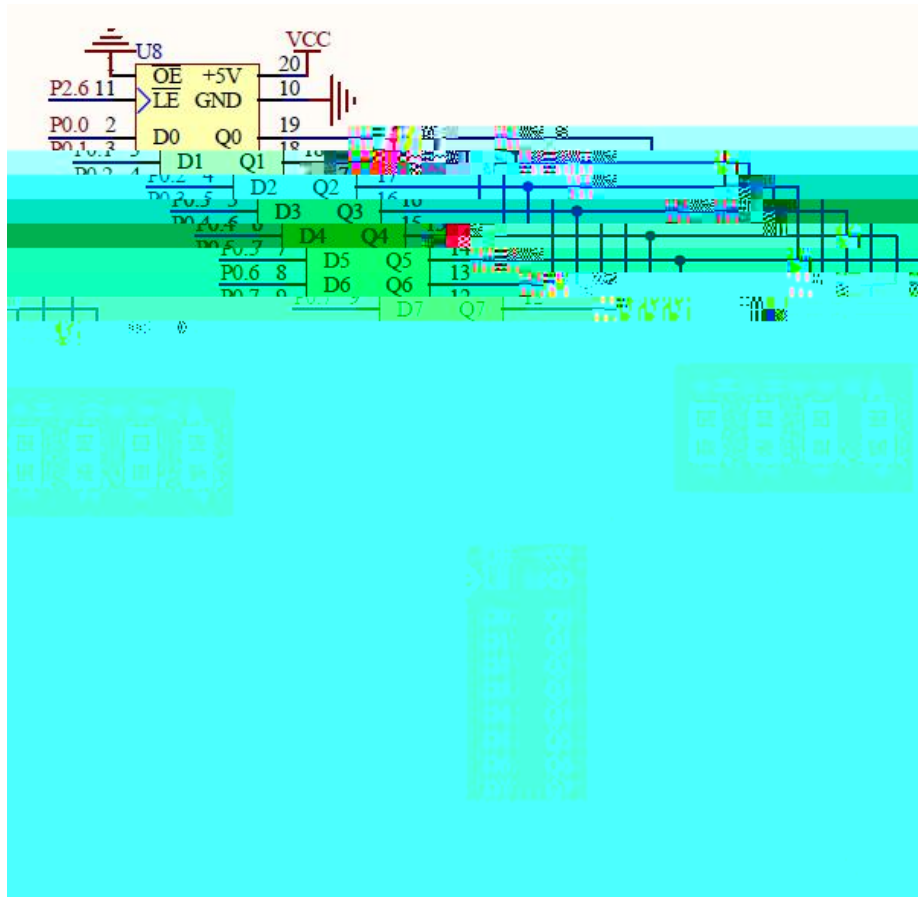
2

PCB

E

3

1

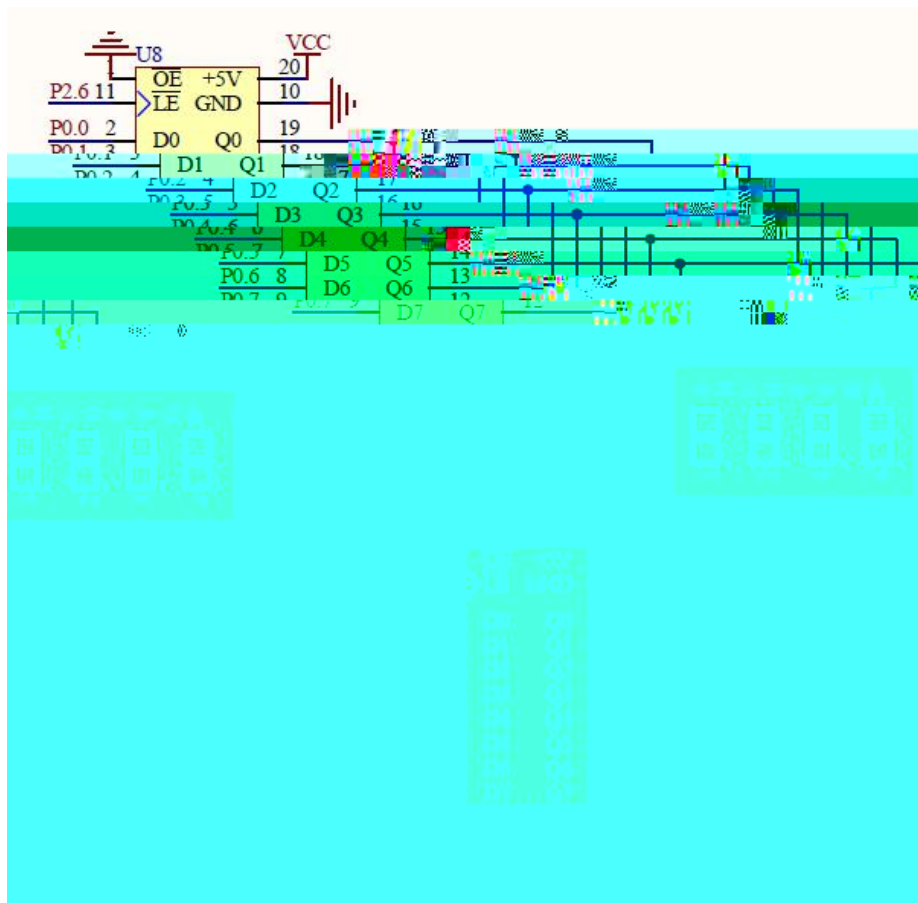


2

PCB
E

3

1



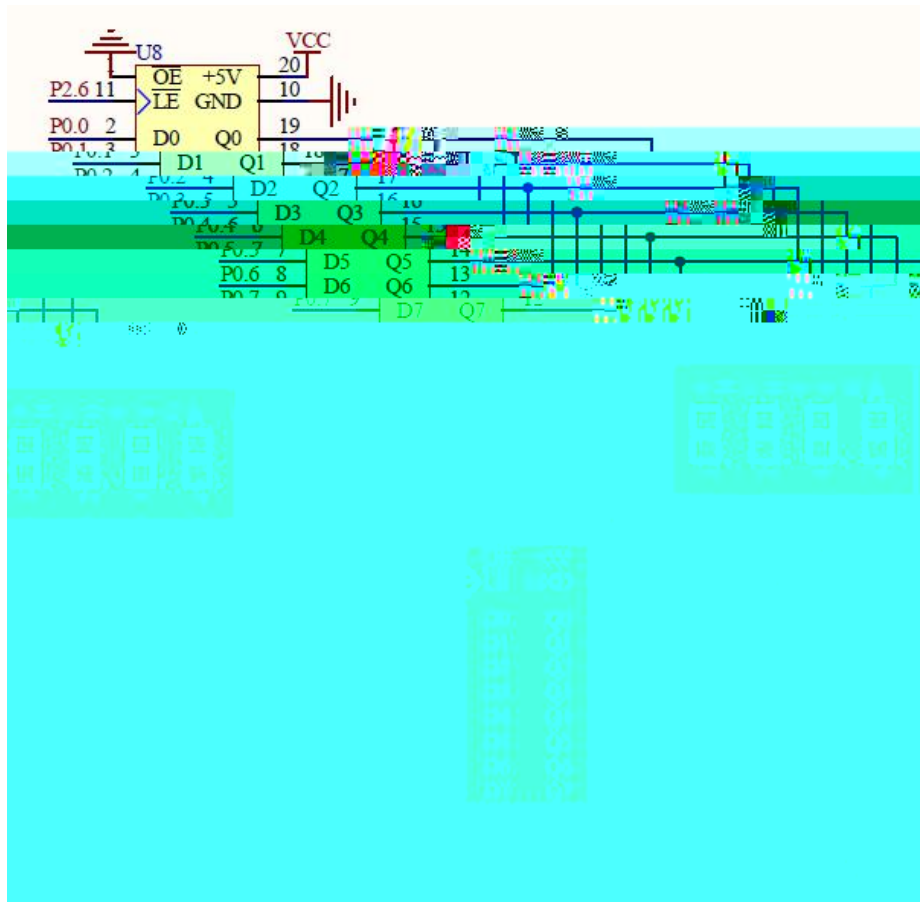
2

PCB

E

3

1



2

PCB

E

3

1

K1 8



2

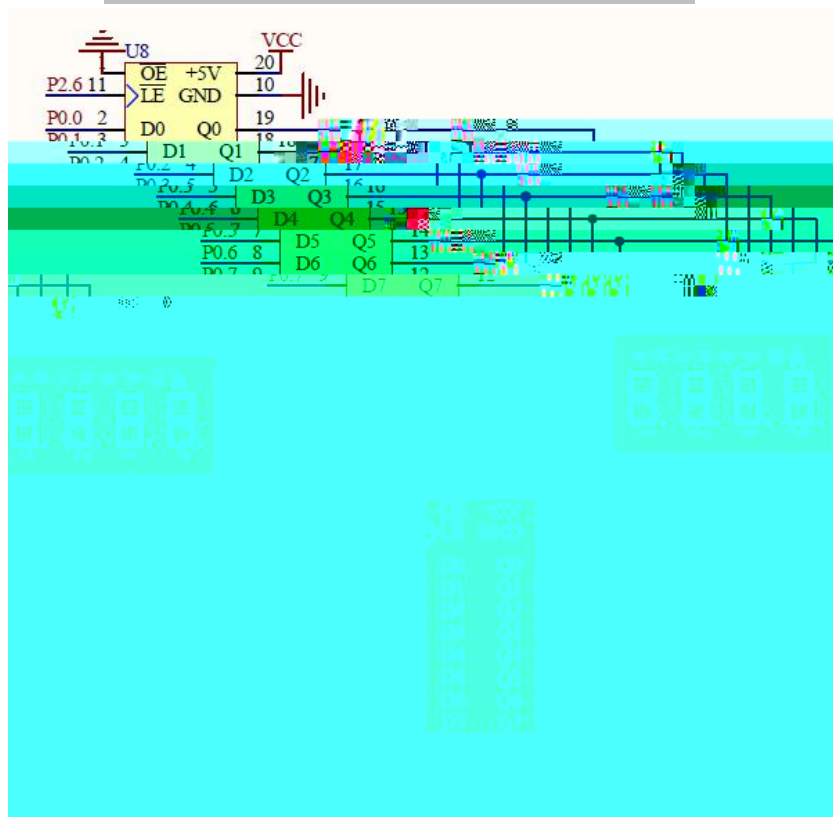
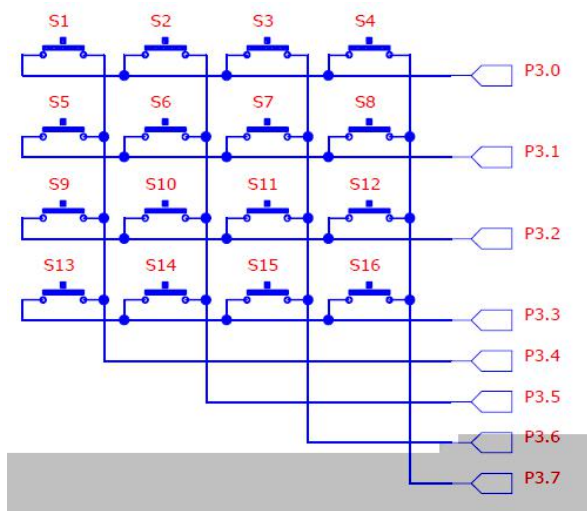
PCB
E

3

1

S1-S16

O-F



2

PCB

E

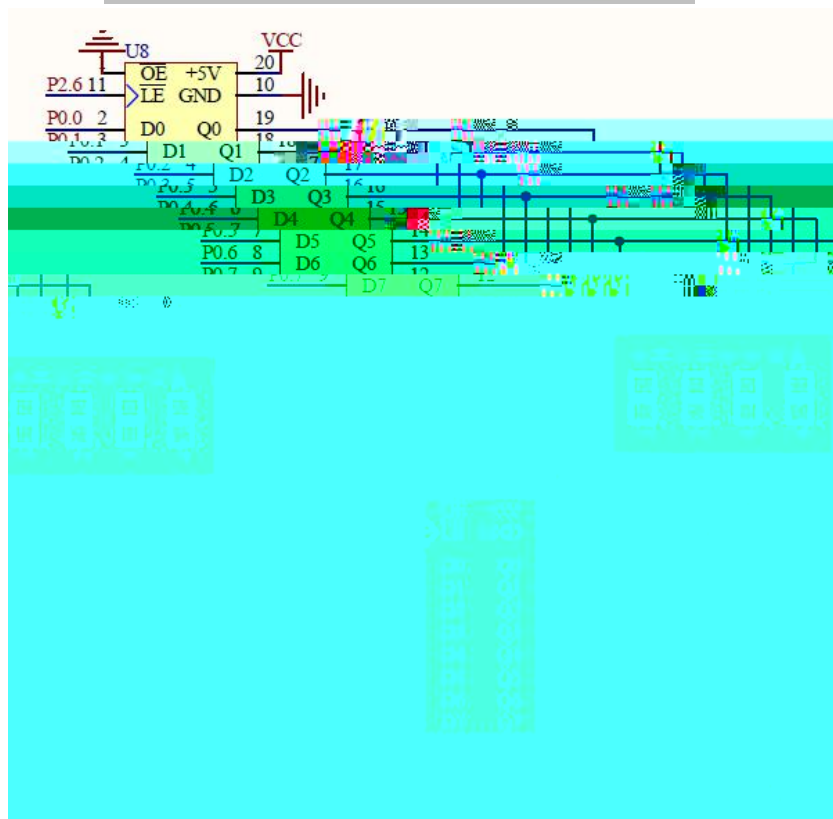
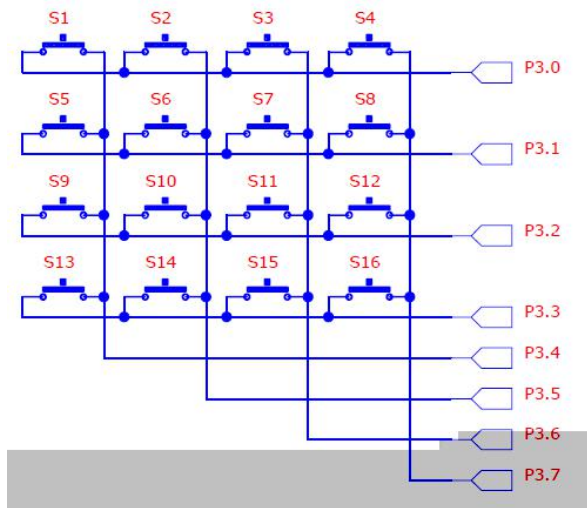
3

1

P3.2

9 0

1



2

PCB

E

3

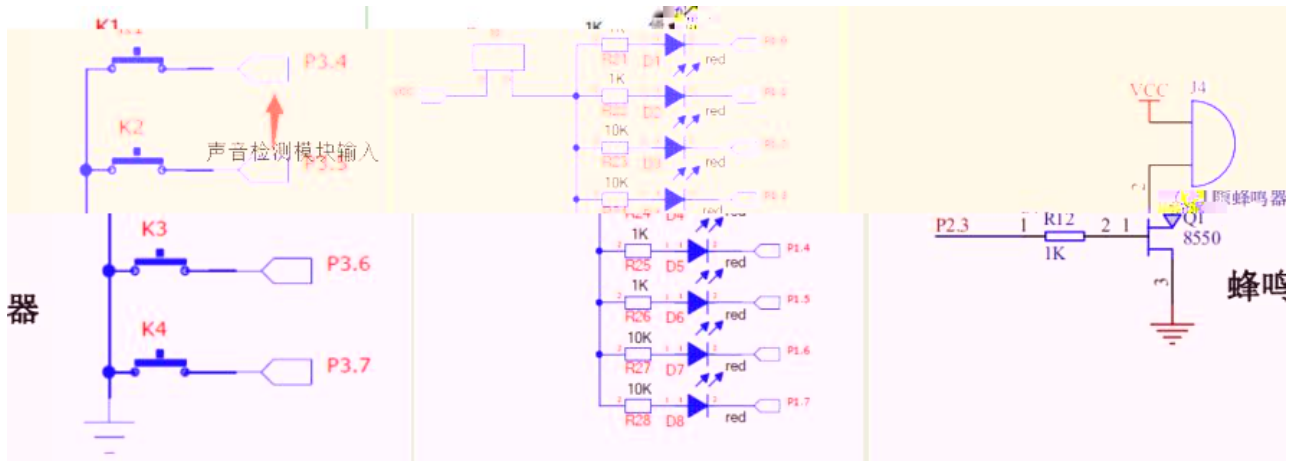
1

P3.4

1

P3.4

D1



1

2

PCB
E

3

1

P3.7

1

P3.7



1

2

PCB
E

3

1

1

K1

D1

K2

D2



1

2

PCB

E

3

1

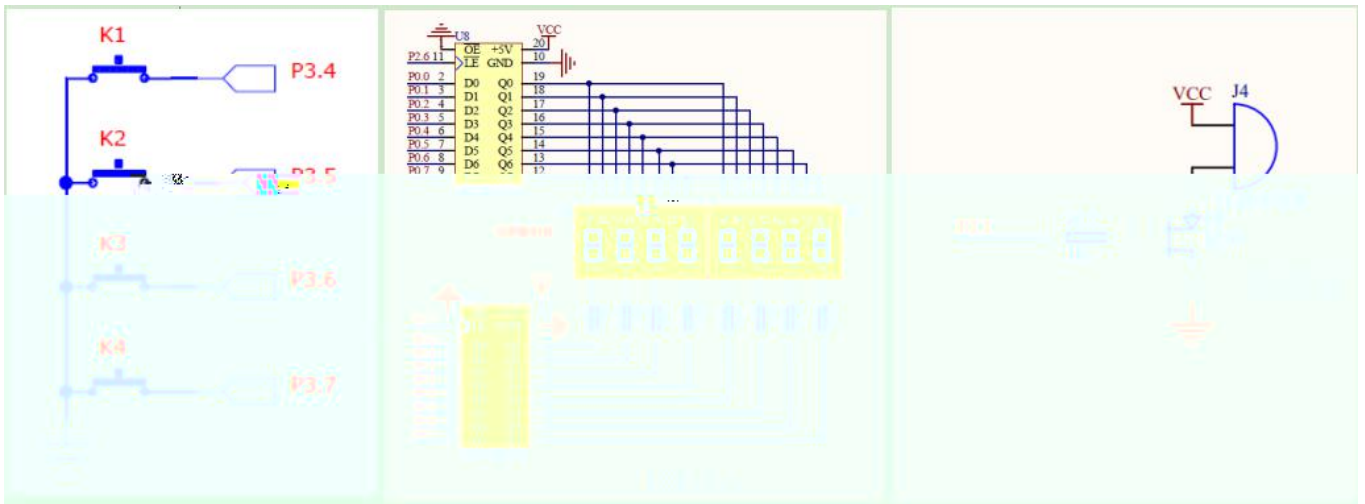
1

K1

K2 K3 K4

K1

" 1"



2

PCB

E

3

1

2



2

PCB

E

3

1

1

P3.6

P3.6



1

2

PCB

E

3

0

1

0.5S 0.5S



2

PCB

E

3

1

K1

D1-D4

K2

D5-D8



2

PCB

E

3

1

/ /

1

/ /

/ /

()

/

1 0

20		10			0
			1		
		10	2		
			3		

			4	
			5	
30		10		
		5		
		5		
		10		
50		5		
		5	1 2	PCB
		10		
		15	1 2 3	
		15		

5

18

1



2

3

1



2

3

1



2

3

1



2

3

1



2



3

1

1	VBAT	VDD	64
2	PC13/ANT1	VSS	63
3	PC14/OSC32	PB9/TIM4_CH4/SDIO_D5	62
4	PC15/OSC32	PB8/TIM4_CH3/SDIO_D4	61
5	PD0/OSCIN	...	60
6	PD1/OSCAUT	... BOOT0	59
7	NRST	PB7/I2C1_SDA/TIM4_CH2	58
8	PC0/ADC10	PB6/I2C1_SCL/TIM4_CH1	57
9	PC1/ADC11	PB5/I2C1_SMBA/SPI3_MOSI/I2S3_SD	56
10	PC2/ADC12	PB4/JNTRST/SPI3_MISO	55
11	PC3/ADC13	PB3/JTDO/SPI3_SCK/I2S3_CK	54
12	VSSA	PD2/U5_RX/TIM3_ETR/SDIO_CMD	53
13	VDDA	PC12/U5_TX/SDIO_CK	52
14	PA0/WKUP/ADC0/TIM2_CH1_ETR/TIM5_CH1/TIM8_ETR	PC11/U4_RX/SDIO_D3	51
15	PA1/ADC1/TIM2_CH2/TIM5_CH2	PC10/U4_TX/SDIO_D2	50
16	PA2/U2_TX/ADC2/TIM2_CH3/TIM5_CH3	PA15/JTDI/SPI3_NSS/I2S3_WS	49
17	PA3/U2_RX/ADC3/TIM2_CH4/TIM5_CH4	PA14/JTCK/SWCLK	48
18	VDD	VDD	4
19	VSS	VSS	5
20	PA4/ADC0/ADC10/ADC11	PA13/TIM4_CH3	6
21	PA5/ADC0/ADC10/ADC11	PA12/TIM4_CH2	7
22	PA6/ADC0/ADC10/ADC11	PA11/TIM4_CH1	8
23	PA7/ADC0/ADC10/ADC11	PA10/TIM4_CH0	9
24	PA8/ADC0/ADC10/ADC11	PA9/TIM4_CH0	10
25	PA9/ADC0/ADC10/ADC11	PA8/TIM4_CH0	11
26	PA10/ADC0/ADC10/ADC11	PA7/TIM4_CH0	12
27	PA11/ADC0/ADC10/ADC11	PA6/TIM4_CH0	13
28	PA12/ADC0/ADC10/ADC11	PA5/TIM4_CH0	14
29	PA13/ADC0/ADC10/ADC11	PA4/TIM4_CH0	15
30	PA14/ADC0/ADC10/ADC11	PA3/TIM4_CH0	16
31	PA15/ADC0/ADC10/ADC11	PA2/TIM4_CH0	17
32	PA16/ADC0/ADC10/ADC11	PA1/TIM4_CH0	18
33	PA17/ADC0/ADC10/ADC11	PA0/TIM4_CH0	19
34	PA18/ADC0/ADC10/ADC11	PA15/TIM4_CH0	20
35	PA19/ADC0/ADC10/ADC11	PA14/TIM4_CH0	21
36	PA20/ADC0/ADC10/ADC11	PA13/TIM4_CH0	22
37	PA21/ADC0/ADC10/ADC11	PA12/TIM4_CH0	23
38	PA22/ADC0/ADC10/ADC11	PA11/TIM4_CH0	24
39	PA23/ADC0/ADC10/ADC11	PA10/TIM4_CH0	25
40	PA24/ADC0/ADC10/ADC11	PA9/TIM4_CH0	26
41	PA25/ADC0/ADC10/ADC11	PA8/TIM4_CH0	27
42	PA26/ADC0/ADC10/ADC11	PA7/TIM4_CH0	28
43	PA27/ADC0/ADC10/ADC11	PA6/TIM4_CH0	29
44	PA28/ADC0/ADC10/ADC11	PA5/TIM4_CH0	30
45	PA29/ADC0/ADC10/ADC11	PA4/TIM4_CH0	31
46	PA30/ADC0/ADC10/ADC11	PA3/TIM4_CH0	32
47	PA31/ADC0/ADC10/ADC11	PA2/TIM4_CH0	33
48	PA32/ADC0/ADC10/ADC11	PA1/TIM4_CH0	34
49	PA33/ADC0/ADC10/ADC11	PA0/TIM4_CH0	35
50	PA34/ADC0/ADC10/ADC11	PA31/TIM4_CH0	36
51	PA35/ADC0/ADC10/ADC11	PA30/TIM4_CH0	37
52	PA36/ADC0/ADC10/ADC11	PA29/TIM4_CH0	38
53	PA37/ADC0/ADC10/ADC11	PA28/TIM4_CH0	39
54	PA38/ADC0/ADC10/ADC11	PA27/TIM4_CH0	40
55	PA39/ADC0/ADC10/ADC11	PA26/TIM4_CH0	41
56	PA40/ADC0/ADC10/ADC11	PA25/TIM4_CH0	42
57	PA41/ADC0/ADC10/ADC11	PA24/TIM4_CH0	43
58	PA42/ADC0/ADC10/ADC11	PA23/TIM4_CH0	44
59	PA43/ADC0/ADC10/ADC11	PA22/TIM4_CH0	45
60	PA44/ADC0/ADC10/ADC11	PA21/TIM4_CH0	46
61	PA45/ADC0/ADC10/ADC11	PA20/TIM4_CH0	47
62	PA46/ADC0/ADC10/ADC11	PA19/TIM4_CH0	48
63	PA47/ADC0/ADC10/ADC11	PA18/TIM4_CH0	49
64	PA48/ADC0/ADC10/ADC11	PA17/TIM4_CH0	50
65	PA49/ADC0/ADC10/ADC11	PA16/TIM4_CH0	51
66	PA50/ADC0/ADC10/ADC11	PA15/TIM4_CH0	52
67	PA51/ADC0/ADC10/ADC11	PA14/TIM4_CH0	53
68	PA52/ADC0/ADC10/ADC11	PA13/TIM4_CH0	54
69	PA53/ADC0/ADC10/ADC11	PA12/TIM4_CH0	55
70	PA54/ADC0/ADC10/ADC11	PA11/TIM4_CH0	56
71	PA55/ADC0/ADC10/ADC11	PA10/TIM4_CH0	57
72	PA56/ADC0/ADC10/ADC11	PA9/TIM4_CH0	58
73	PA57/ADC0/ADC10/ADC11	PA8/TIM4_CH0	59
74	PA58/ADC0/ADC10/ADC11	PA7/TIM4_CH0	60
75	PA59/ADC0/ADC10/ADC11	PA6/TIM4_CH0	61
76	PA60/ADC0/ADC10/ADC11	PA5/TIM4_CH0	62
77	PA61/ADC0/ADC10/ADC11	PA4/TIM4_CH0	63
78	PA62/ADC0/ADC10/ADC11	PA3/TIM4_CH0	64
79	PA63/ADC0/ADC10/ADC11	PA2/TIM4_CH0	65
80	PA64/ADC0/ADC10/ADC11	PA1/TIM4_CH0	66
81	PA65/ADC0/ADC10/ADC11	PA0/TIM4_CH0	67
82	PA66/ADC0/ADC10/ADC11	PA63/TIM4_CH0	68
83	PA67/ADC0/ADC10/ADC11	PA62/TIM4_CH0	69
84	PA68/ADC0/ADC10/ADC11	PA61/TIM4_CH0	70
85	PA69/ADC0/ADC10/ADC11	PA60/TIM4_CH0	71
86	PA70/ADC0/ADC10/ADC11	PA59/TIM4_CH0	72
87	PA71/ADC0/ADC10/ADC11	PA58/TIM4_CH0	73
88	PA72/ADC0/ADC10/ADC11	PA57/TIM4_CH0	74
89	PA73/ADC0/ADC10/ADC11	PA56/TIM4_CH0	75
90	PA74/ADC0/ADC10/ADC11	PA55/TIM4_CH0	76
91	PA75/ADC0/ADC10/ADC11	PA54/TIM4_CH0	77
92	PA76/ADC0/ADC10/ADC11	PA53/TIM4_CH0	78
93	PA77/ADC0/ADC10/ADC11	PA52/TIM4_CH0	79
94	PA78/ADC0/ADC10/ADC11	PA51/TIM4_CH0	80
95	PA79/ADC0/ADC10/ADC11	PA50/TIM4_CH0	81
96	PA80/ADC0/ADC10/ADC11	PA49/TIM4_CH0	82
97	PA81/ADC0/ADC10/ADC11	PA48/TIM4_CH0	83
98	PA82/ADC0/ADC10/ADC11	PA47/TIM4_CH0	84
99	PA83/ADC0/ADC10/ADC11	PA46/TIM4_CH0	85
100	PA84/ADC0/ADC10/ADC11	PA45/TIM4_CH0	86
101	PA85/ADC0/ADC10/ADC11	PA44/TIM4_CH0	87
102	PA86/ADC0/ADC10/ADC11	PA43/TIM4_CH0	88
103	PA87/ADC0/ADC10/ADC11	PA42/TIM4_CH0	89
104	PA88/ADC0/ADC10/ADC11	PA41/TIM4_CH0	90
105	PA89/ADC0/ADC10/ADC11	PA40/TIM4_CH0	91
106	PA90/ADC0/ADC10/ADC11	PA39/TIM4_CH0	92
107	PA91/ADC0/ADC10/ADC11	PA38/TIM4_CH0	93
108	PA92/ADC0/ADC10/ADC11	PA37/TIM4_CH0	94
109	PA93/ADC0/ADC10/ADC11	PA36/TIM4_CH0	95
110	PA94/ADC0/ADC10/ADC11	PA35/TIM4_CH0	96
111	PA95/ADC0/ADC10/ADC11	PA34/TIM4_CH0	97
112	PA96/ADC0/ADC10/ADC11	PA33/TIM4_CH0	98
113	PA97/ADC0/ADC10/ADC11	PA32/TIM4_CH0	99
114	PA98/ADC0/ADC10/ADC11	PA31/TIM4_CH0	100
115	PA99/ADC0/ADC10/ADC11	PA30/TIM4_CH0	101
116	PA100/ADC0/ADC10/ADC11	PA29/TIM4_CH0	102
117	PA101/ADC0/ADC10/ADC11	PA28/TIM4_CH0	103
118	PA102/ADC0/ADC10/ADC11	PA27/TIM4_CH0	104
119	PA103/ADC0/ADC10/ADC11	PA26/TIM4_CH0	105
120	PA104/ADC0/ADC10/ADC11	PA25/TIM4_CH0	106
121	PA105/ADC0/ADC10/ADC11	PA24/TIM4_CH0	107
122	PA106/ADC0/ADC10/ADC11	PA23/TIM4_CH0	108
123	PA107/ADC0/ADC10/ADC11	PA22/TIM4_CH0	109
124	PA108/ADC0/ADC10/ADC11	PA21/TIM4_CH0	110
125	PA109/ADC0/ADC10/ADC11	PA20/TIM4_CH0	111
126	PA110/ADC0/ADC10/ADC11	PA19/TIM4_CH0	112
127	PA111/ADC0/ADC10/ADC11	PA18/TIM4_CH0	113
128	PA112/ADC0/ADC10/ADC11	PA17/TIM4_CH0	114
129	PA113/ADC0/ADC10/ADC11	PA16/TIM4_CH0	115
130	PA114/ADC0/ADC10/ADC11	PA15/TIM4_CH0	116
131	PA115/ADC0/ADC10/ADC11	PA14/TIM4_CH0	117
132	PA116/ADC0/ADC10/ADC11	PA13/TIM4_CH0	118
133	PA117/ADC0/ADC10/ADC11	PA12/TIM4_CH0	119
134	PA118/ADC0/ADC10/ADC11	PA11/TIM4_CH0	120
135	PA119/ADC0/ADC10/ADC11	PA10/TIM4_CH0	121
136	PA120/ADC0/ADC10/ADC11	PA9/TIM4_CH0	122
137	PA121/ADC0/ADC10/ADC11	PA8/TIM4_CH0	123
138	PA122/ADC0/ADC10/ADC11	PA7/TIM4_CH0	124
139	PA123/ADC0/ADC10/ADC11	PA6/TIM4_CH0	125
140	PA124/ADC0/ADC10/ADC11	PA5/TIM4_CH0	126
141	PA125/ADC0/ADC10/ADC11	PA4/TIM4_CH0	127
142	PA126/ADC0/ADC10/ADC11	PA3/TIM4_CH0	128
143	PA127/ADC0/ADC10/ADC11	PA2/TIM4_CH0	129
144	PA128/ADC0/ADC10/ADC11	PA1/TIM4_CH0	130
145	PA129/ADC0/ADC10/ADC11	PA0/TIM4_CH0	131
146	PA130/ADC0/ADC10/ADC11	PA129/TIM4_CH0	132
147	PA131/ADC0/ADC10/ADC11	PA128/TIM4_CH0	133
148	PA132/ADC0/ADC10/ADC11	PA127/TIM4_CH0	134
149	PA133/ADC0/ADC10/ADC11	PA126/TIM4_CH0	135
150	PA134/ADC0/ADC10/ADC11	PA125/TIM4_CH0	136
151	PA135/ADC0/ADC10/ADC11	PA124/TIM4_CH0	137
152	PA136/ADC0/ADC10/ADC11	PA123/TIM4_CH0	138
153	PA137/ADC0/ADC10/ADC11	PA122/TIM4_CH0	139
154	PA138/ADC0/ADC10/ADC11	PA121/TIM4_CH0	140
155	PA139/ADC0/ADC10/ADC11	PA120/TIM4_CH0	141
156	PA140/ADC0/ADC10/ADC11	PA119/TIM4_CH0	142
157	PA141/ADC0/ADC10/ADC11	PA118/TIM4_CH0	143
158	PA142/ADC0/ADC10/ADC11	PA117/TIM4_CH0	144
159	PA143/ADC0/ADC10/ADC11	PA116/TIM4_CH0	145
160	PA144/ADC0/ADC10/ADC11	PA115/TIM4_CH0	146
161	PA145/ADC0/ADC10/ADC11	PA114/TIM4_CH0	147
162	PA146/ADC0/ADC10/ADC11	PA113/TIM4_CH0	148
163	PA147/ADC0/ADC10/ADC11	PA112/TIM4_CH0	149
164	PA148/ADC0/ADC10/ADC11	PA111/TIM4_CH0	150
165	PA149/ADC0/ADC10/ADC11	PA110/TIM4_CH0	151
166	PA150/ADC0/ADC10/ADC11	PA109/TIM4_CH0	152
167	PA151/ADC0/ADC10/ADC11	PA108/TIM4_CH0	153
168	PA152/ADC0/ADC10/ADC11	PA107/TIM4_CH0	154
169	PA153/ADC0/ADC10/ADC11	PA106/TIM4_CH0	155
170	PA154/ADC0/ADC10/ADC11	PA105/TIM4_CH0	156
171	PA155/ADC0/ADC10/ADC11	PA104/TIM4_CH0	157
172	PA156/ADC0/ADC10/ADC11	PA103/TIM4_CH0	158
173	PA157/ADC0/ADC10/ADC11	PA102/TIM4_CH0	159
174	PA158/ADC0/ADC10/ADC11	PA101/TIM4_CH0	160
175	PA159/ADC0/ADC10/ADC11	PA100/TIM4_CH0	161
176	PA160/ADC0/ADC10/ADC11	PA99/TIM4_CH0	162
177	PA161/ADC0/ADC10/ADC11	PA98/TIM4_CH0	163
178	PA162/ADC0/ADC10/ADC11	PA97/TIM4_CH0	164
179	PA163/ADC0/ADC10/ADC11	PA96/TIM4_CH0	165
180	PA164/ADC0/ADC10/ADC11	PA95/TIM4_CH0	166
181	PA165/ADC0/ADC10/ADC11	PA94/TIM4_CH0	167
182	PA166/ADC0/ADC10/ADC11	PA93/TIM4_CH0	168
183	PA167/ADC0/ADC10/ADC11	PA92/TIM4_CH0	169
184	PA168/ADC0/ADC10/ADC11	PA91/TIM4_CH0	170
185	PA169/ADC0/ADC10/ADC11	PA90/TIM4_CH0	171
186	PA170/ADC0/ADC10/ADC11	PA89/TIM4_CH0	172
187	PA171/ADC0/ADC10/ADC11	PA88/TIM4_CH0	173
188	PA172/ADC0/ADC10/ADC11	PA87/TIM4_CH0	174
189	PA173/ADC0/ADC10/ADC11	PA86/TIM4_CH0	175
190	PA174/ADC0/ADC10/ADC11	PA85/TIM4_CH0	176
191	PA175/ADC0/ADC10/ADC11	PA84/TIM4_CH0	177
192	PA176/ADC0/ADC10/ADC11	PA83/TIM4_CH0	178
193	PA177/ADC0/ADC10/ADC11	PA82/TIM4_CH0	179
194	PA178/ADC0/ADC10/ADC11	PA81/TIM4_CH0	180
195	PA179/ADC0/ADC10/ADC11	PA80/TIM4_CH0	181
196	PA180/ADC0/ADC10/ADC11	PA79/TIM4_CH0	182
197	PA181/ADC0/ADC10/ADC11	PA78/TIM4_CH0	183
198	PA182/ADC0/ADC10/ADC11	PA77/TIM4_CH0	184
199	PA183/ADC0/ADC10/ADC11	PA76/TIM4_CH0	185
200	PA184/ADC0/ADC10/ADC11	PA75/TIM4_CH0	186
201	PA185/ADC0/ADC10/ADC11	PA74/TIM4_CH0	187
202	PA186/ADC0/ADC10/ADC11	PA73/TIM4_CH0	188
203	PA187/ADC0/ADC10/ADC11	PA72/TIM4_CH0	189
204	PA188/ADC0/ADC10/ADC11	PA71/TIM4_CH0	190
205	PA189/ADC0/ADC10/ADC11	PA70/TIM4_CH0	191
206	PA190/ADC0/ADC10/ADC11	PA69/TIM4_CH0	192
207	PA191/ADC0/ADC10/ADC11	PA68/TIM4_CH0	193
208	PA192/ADC0/ADC10/ADC11	PA67/TIM4_CH0	194
209	PA193/ADC0/ADC10/ADC11	PA66/TIM4_CH0	195
210	PA194/ADC0/ADC10/ADC11	PA65/TIM4_CH0	196
211	PA195/ADC0/ADC10/ADC11	PA64/TIM4_CH0	197
212	PA196/ADC0/ADC10/ADC11	PA63/TIM4_CH0	198
213	PA197/ADC0/ADC10/ADC11	PA62/TIM4_CH0	199
214	PA198/ADC0/ADC10/ADC11	PA61/TIM4_CH0	200
215	PA199/ADC0/ADC10/ADC11	PA60/TIM4_CH0	201
216	PA200/ADC0/ADC10/ADC11	PA59/TIM4_CH0	202
217	PA201/ADC0/ADC10/ADC11	PA58/TIM4_CH0	203
218	PA202/ADC0/ADC10/ADC11	PA57/TIM4_CH0	204
219	PA203/ADC0/ADC10/ADC11	PA56/TIM4_CH0	205
220	PA204/ADC0/ADC10/ADC11	PA55/TIM4_CH0	206
221	PA205/ADC0/ADC10/ADC11	PA54/TIM4_CH0	207
222	PA206/ADC0/ADC10/ADC11	PA53/TIM4_CH0	208
223	PA207/ADC0/ADC10/ADC11	PA52/TIM4_CH0	209
224	PA208/ADC0/ADC10/ADC11	PA51/TIM4_CH0	210
225	PA209/ADC0/ADC10/ADC11	PA50/TIM4_CH0	211
226	PA210/ADC0/ADC10/ADC11	PA49/TIM4_CH0	212
227	PA211/ADC0/ADC10/ADC11	PA48/TIM4_CH0	213
228	PA212/ADC0/ADC10/ADC11	PA47/TIM4_CH0	214
229	PA213/ADC0/ADC10/ADC11	PA46/TIM4_CH0	215
230	PA214/ADC0/ADC10/ADC11	PA45/TIM4_CH0	216
231	PA215/ADC0/ADC10/ADC11	PA44/TIM4_CH0	217
232	PA216/ADC0/ADC10/ADC11	PA43/TIM4_CH0	218
233	PA217/ADC0/ADC10/ADC11	PA42/TIM4_CH0	219
234	PA218/ADC0/ADC10/ADC11	PA41/TIM4_CH0	220
235	PA219/ADC0/ADC10/ADC11	PA40/TIM4_CH0	221
236	PA220/ADC0/ADC10/ADC11	PA39/TIM4_CH0	222
237	PA221/ADC0/ADC10/ADC11	PA38/TIM4_CH0	223
238	PA222/ADC0/ADC10/ADC11	PA37/TIM4_CH0	224
239	PA223/ADC0/ADC10/ADC11	PA36/TIM4_CH0	225
240	PA224/ADC0/ADC10/ADC11	PA35/TIM4_CH0	226
241	PA225/ADC0/ADC10/ADC11	PA34/TIM4_CH0	227

1



2

3

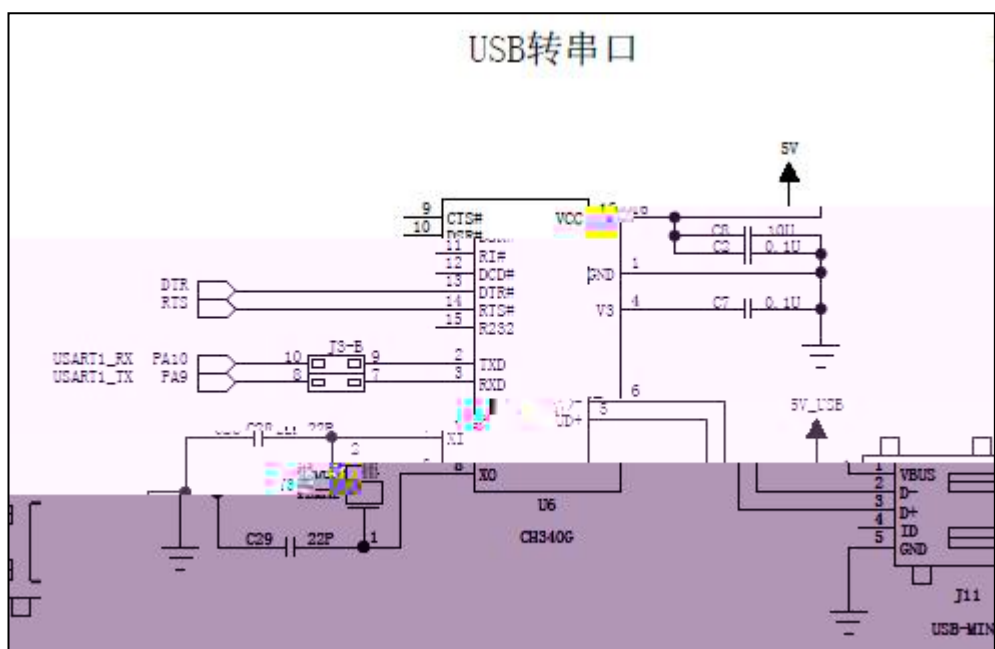
1

1	VBAT	VDD	64
2	PC13/ANT1	VSS	63
3	PC14/OSC32	PB9/TIM4_CH4/SDIO_D5	62
4	PC15/OSC32	PB8/TIM4_CH3/SDIO_D4	61
5	PD0/OSCIN	W	60
6	PD1/OSCCOUT	BOOT0	59
7	NRST	PB7/I2C1_SDA/TIM4_CH2	58
8	PC0/ADC10	PB6/I2C1_SCL/TIM4_CH1	57
9	PC1/ADC11	PB5/I2C1_SMBA/SPI3_MOSI/I2S3_SD	56
10	PC2/ADC12	PB4/JNTRST/SPI3_MISO	55
11	PC3/ADC13	PB3/JTDC/SPI3_SCK/I2S3_CK	54
12	VSSA	PD2/U5_RX/TIM3_ETR/SDIO_CMD	53
13	VDDA	PC12/U5_TX/SDIO_CK	52
14	PA0/WKUP/ADC0/TIM2_CH1_ETR/TIM5_CH1/TIM8_ETR	PC11/U4_RX/SDIO_D3	51
15	PA1/ADC1/TIM2_CH2/TIM5_CH2	PC10/U4_TX/SDIO_D2	50
16	PA2/U2_TX/ADC2/TIM2_CH3/TIM5_CH3	PA15/JTDI/SPI3_NSS/I2S3_WS	49
17	PA3/U2_RX/ADC3/TIM2_CH4/TIM5_CH4	PA14/JTCK/SWCLK	48
18	PC4	VDD	47
19	PC5	VDD	46
20	PC6	PA13/TIM2_CH5/TIM5_CH4	45
21	PC7	PA12/CKI/TIM2_CH6/TIM5_CH5	44
22	PC8	PA11/CKE/TIM2_CH7/TIM5_CH6	43
23	PC9	PA10/CKS/TIM2_CH8/TIM5_CH7	42
24	PC10	PA9/CKP/TIM2_CH9/TIM5_CH8	41
25	PC11	PA8/CKQ/TIM2_CH10/TIM5_CH9	40
26	PC12	PA7/CKR/TIM2_CH11/TIM5_CH10	39
27	PC13	PA6/CKT/TIM2_CH12/TIM5_CH11	38
28	PC14	PA5/CKU/TIM2_CH13/TIM5_CH12	37
29	PC15	PA4/CKV/TIM2_CH14/TIM5_CH13	36
30	PD0	PC15/ADC14/TIM9_CH1/SAI1_B	35
31	PD1	PC14/ADC15/TIM9_CH2/SAI1_A	34
32	PD2	PC13/ADC16/TIM9_CH3/SAI1_C	33
33	PD3	PC12/ADC17/TIM9_CH4/SAI1_D	32
34	PD4	PC11/ADC18/TIM9_CH5/SAI1_E	31
35	PD5	PC10/ADC19/TIM9_CH6/SAI1_F	30
36	PD6	PC9/ADC20/TIM9_CH7/SAI1_G	29
37	PD7	PC8/ADC21/TIM9_CH8/SAI1_H	28
38	PD8	PC7/ADC22/TIM9_CH9/SAI1_I	27
39	PD9	PC6/ADC23/TIM9_CH10/SAI1_J	26
40	PD10	PC5/ADC24/TIM9_CH11/SAI1_K	25
41	PD11	PC4/ADC25/TIM9_CH12/SAI1_L	24
42	PD12	PC3/ADC26/TIM9_CH13/SAI1_M	23
43	PD13	PC2/ADC27/TIM9_CH14/SAI1_N	22
44	PD14	PC1/ADC28/TIM9_CH15/SAI1_O	21
45	PD15	PC0/ADC29/TIM9_CH16/SAI1_P	20
46	PE0	PC15/ADC30/TIM9_CH17/SAI1_Q	19
47	PE1	PC14/ADC31/TIM9_CH18/SAI1_R	18
48	PE2	PC13/ADC32/TIM9_CH19/SAI1_S	17
49	PE3	PC12/ADC33/TIM9_CH20/SAI1_T	16
50	PE4	PC11/ADC34/TIM9_CH21/SAI1_U	15
51	PE5	PC10/ADC35/TIM9_CH22/SAI1_V	14
52	PE6	PC9/ADC36/TIM9_CH23/SAI1_W	13
53	PE7	PC8/ADC37/TIM9_CH24/SAI1_X	12
54	PE8	PC7/ADC38/TIM9_CH25/SAI1_Y	11
55	PE9	PC6/ADC39/TIM9_CH26/SAI1_Z	10
56	PE10	PC5/ADC40/TIM9_CH27/SAI1_AA	9
57	PE11	PC4/ADC41/TIM9_CH28/SAI1_AB	8
58	PE12	PC3/ADC42/TIM9_CH29/SAI1_AC	7
59	PE13	PC2/ADC43/TIM9_CH30/SAI1_AD	6
60	PE14	PC1/ADC44/TIM9_CH31/SAI1_AE	5
61	PE15	PC0/ADC45/TIM9_CH32/SAI1_AF	4
62	PF0	PC15/ADC46/TIM9_CH33/SAI1_AG	3
63	PF1	PC14/ADC47/TIM9_CH34/SAI1_AH	2
64	PF2	PC13/ADC48/TIM9_CH35/SAI1_AI	1

2

3

1

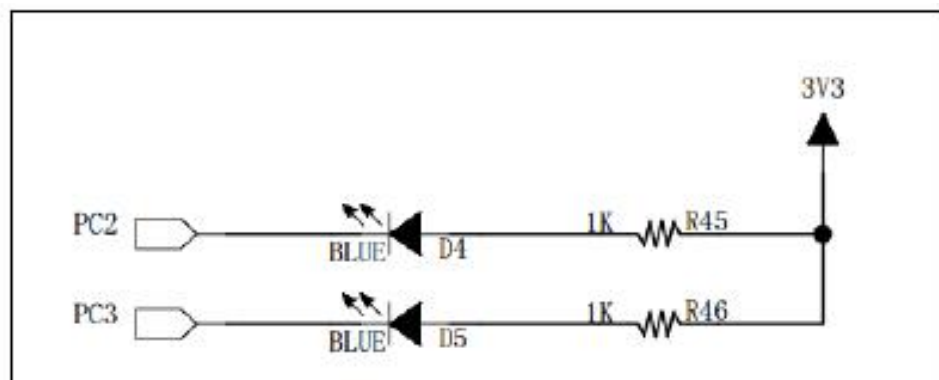
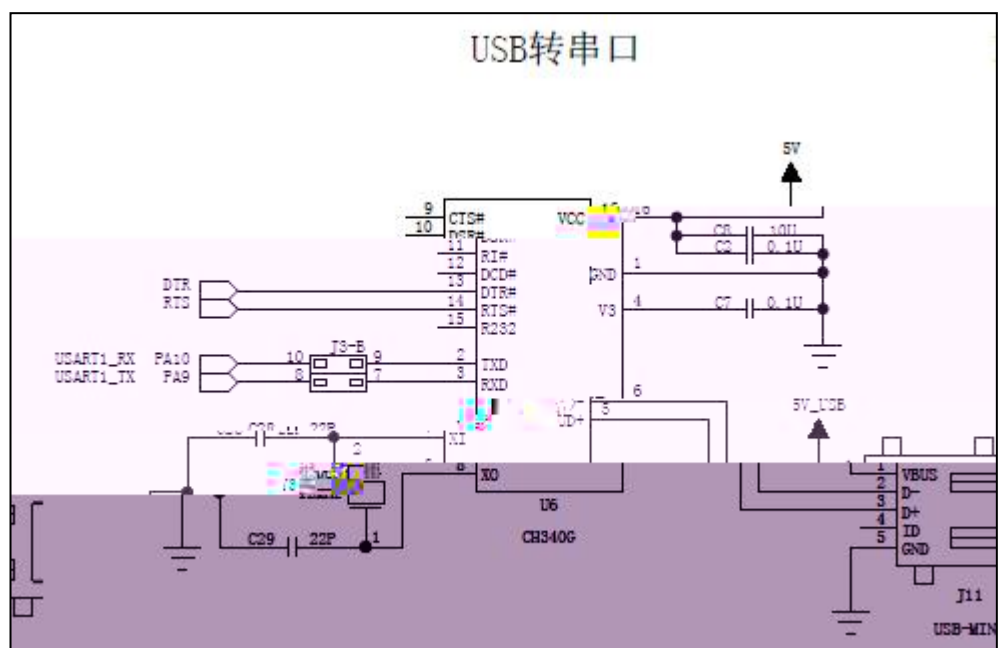


2

3

-

1



2

3

-

1

2

1

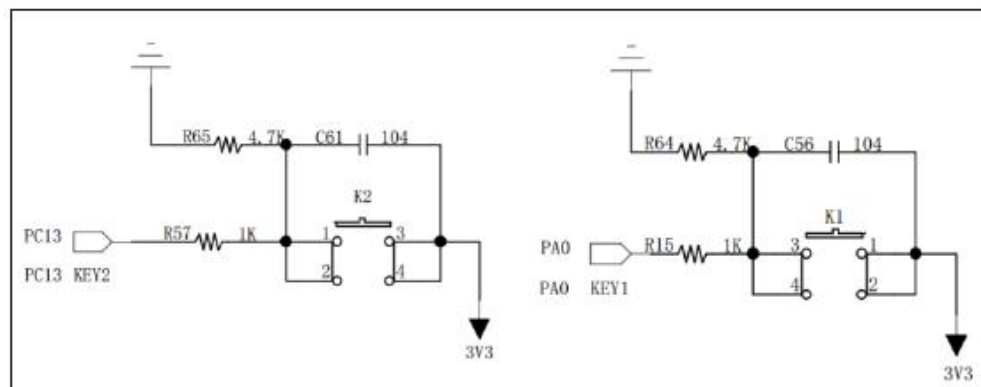
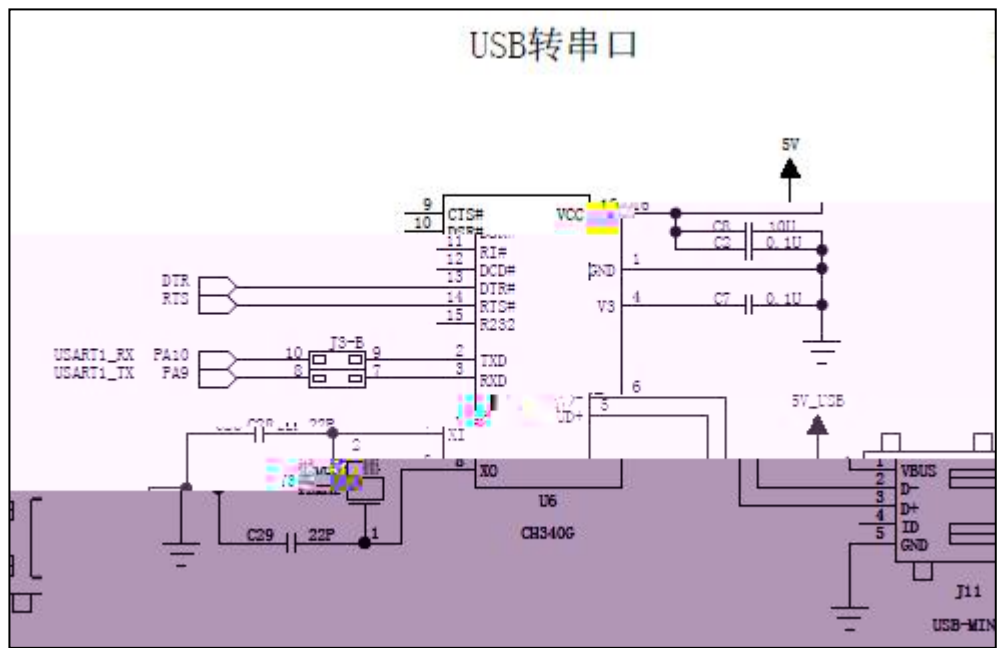


2

3

-

1

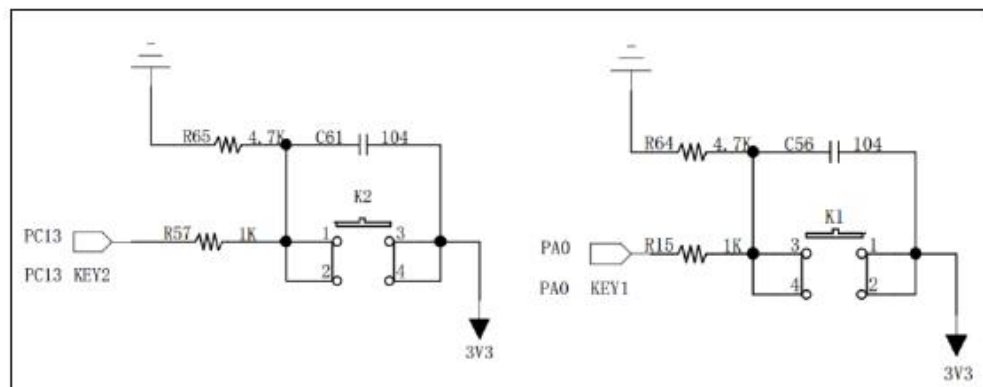
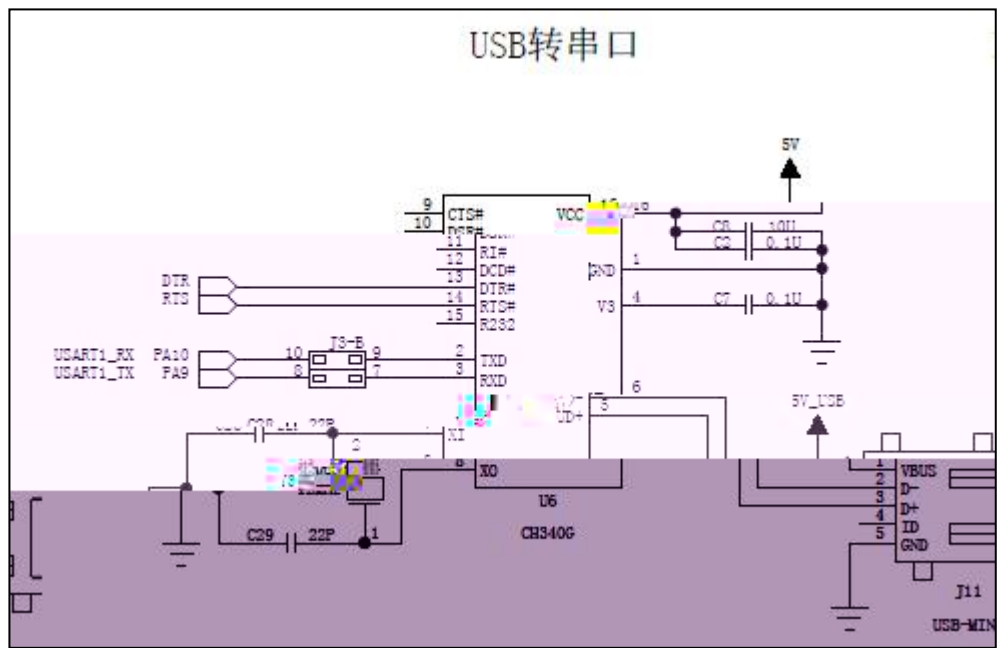


2

3

-

1



2

3

-



2

3

-

1



2

3

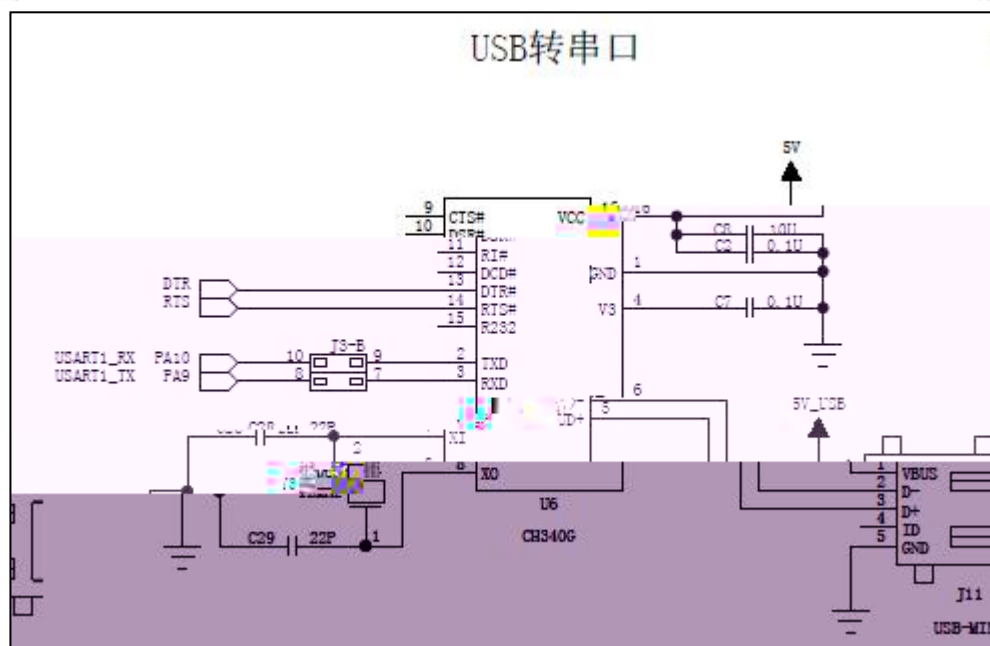
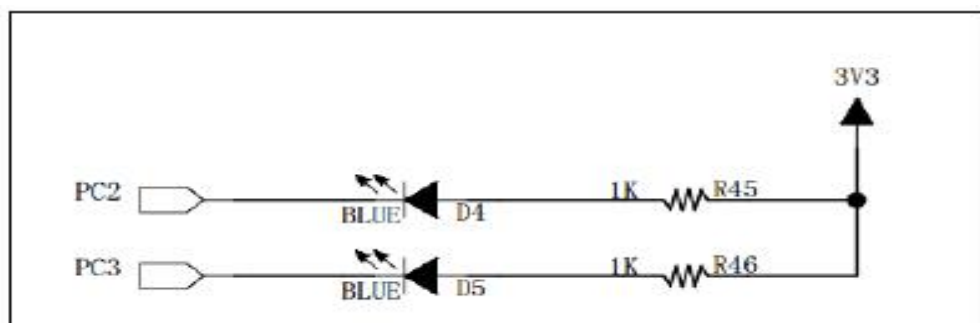


2

3

-

1



2

3

-

1

1

1

1 / / .0

/ /

()

/

1 0

20		10		
		10	6	0
			7	
			8	
		9		

			10	
30			1	
		10		
		10		
50				
		10		

5

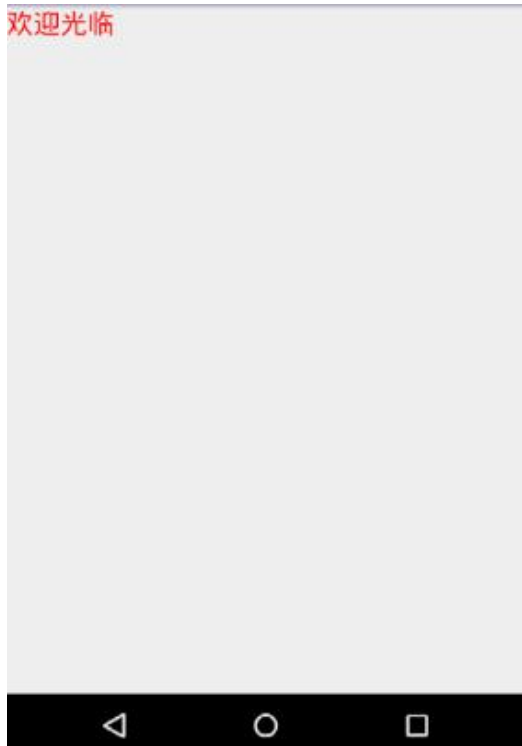
18

1
2

20sp

RGB #FF0000

欢迎光临



3 :

2
1



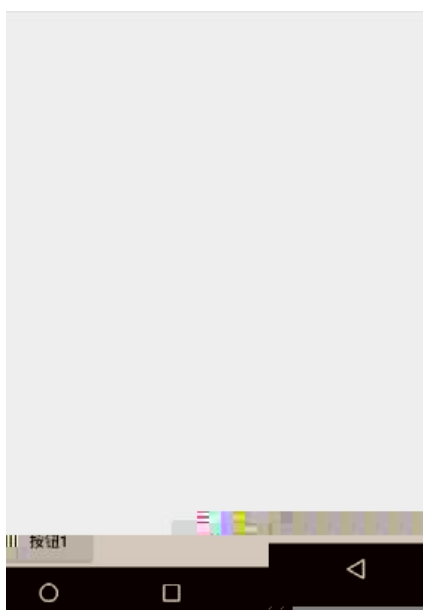
3 :

1

2

1

2



3

:

TextView

2

1



3

1

2



3

2

1

2



3

1

1 1 1 1

2

1

2

1 1 1 1



3

1

2

1



3

1

2

1

2



3

1

2

1

2

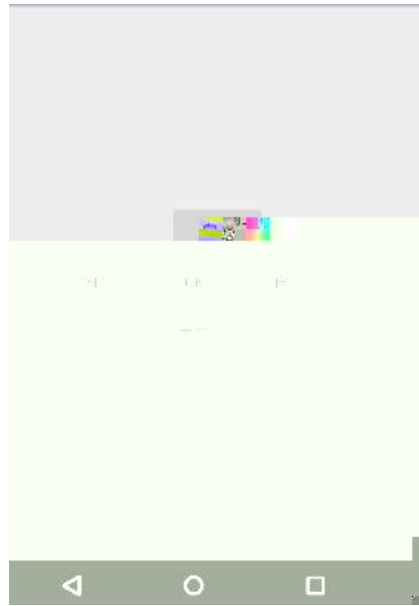


3

1

2

1



3

1

LED

2

1

2

3

TextView LED



3

1

LED

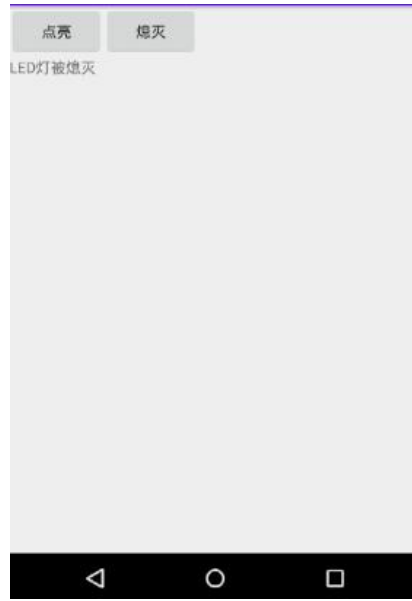
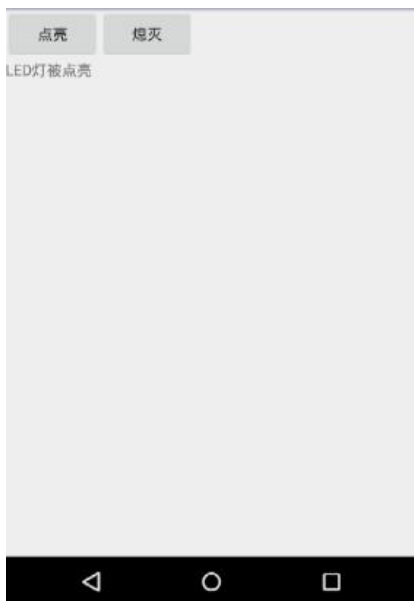
2

1

2

3

TextView LED



3

1

LED

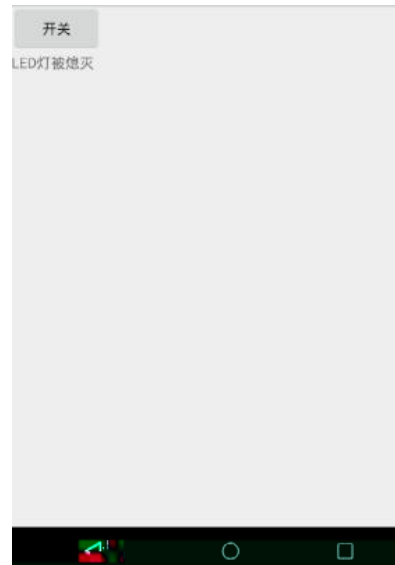
2

1

2

3

TextView LED



3

1

LED

2

1

2

3

4

TextVi ew



3

1

LED

2

1

2

3

4

ImageView

30dp*30dp



3

1

2

1

2



3

1

2

1

2



3